

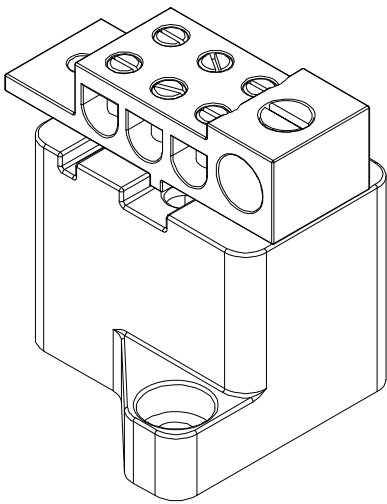


SPLITTER BLOCKS FOR POWER PEDESTALS

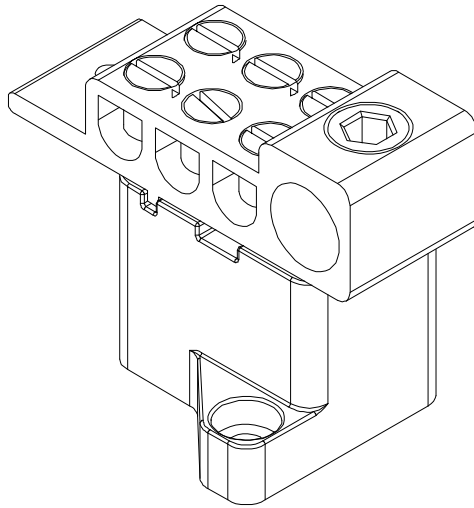
MODEL NO.	PRIMARY AMPS	PRIMARY WIRE SIZE	BRANCH AMPS	BRANCH WIRE SIZE
P 125	125	#14 to 1/O	70	#14 to #2
P 225	225	#6 to 300 MCM	125	#14 to 2/O
P 225M	225	(2) #6 to 300 MCM	125	#14 to 2/O
P 400	400	#4 to 600 MCM or (2) 250 MCM to 1/O	125	#6 to 3/O
P 600	600	(2) #4 to 600 MCM	125	#6 to 3/O

TECHNICAL INFORMATION

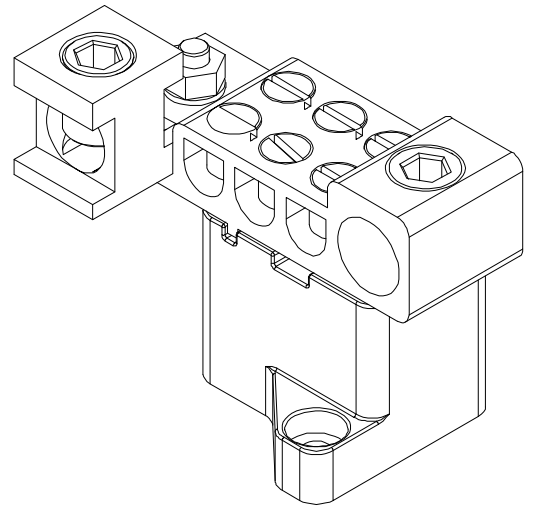
- Electro-tin plated lugs
- 600V Cu/Al rated
- All lugs mounted on CYCOLAC or POCAN 4225 glastic insulators



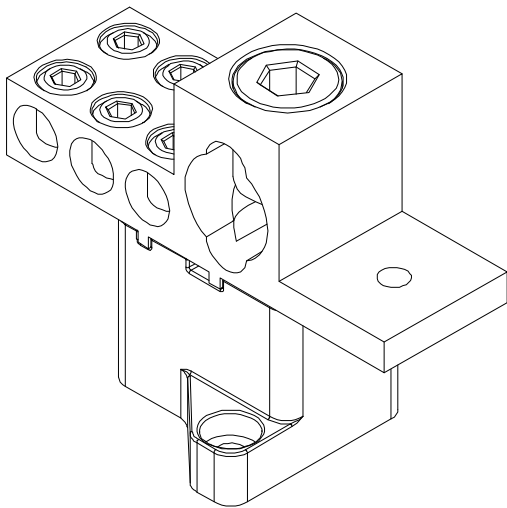
P 125



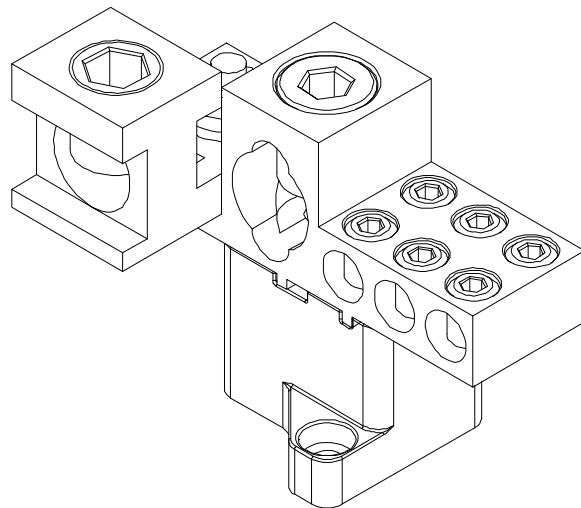
P 225



P 225M



P 400



P 600

ACE MANUFACTURING METALS LTD

Toll Free (866) 352-7145 · Direct (780) 352-7145 · BC Direct (250) 808-9116

www.acemfg.com · info@acemfg.com · Fax (780) 352-7147