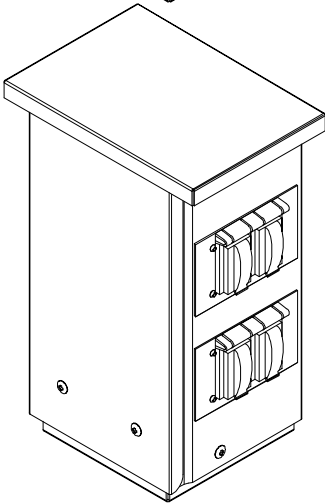
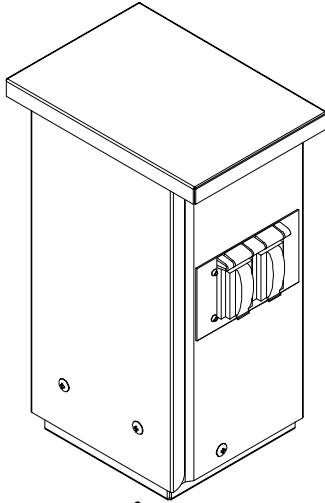




SELECT SERIES SHORT POWER PEDESTAL

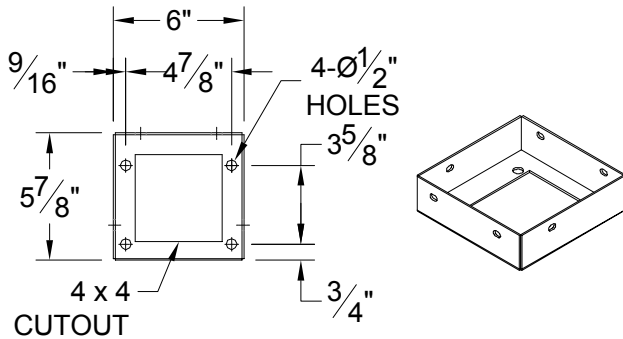


FEATURES AND BENEFITS

- Mainly used for parking lot applications where 120V/15A is required
- Short design enables mounting on raised concrete base
- Bolt together design
- Concealed internal baseplate for maximum safety
- Top and bottom cross ties for increased rigidity
- Mini-breaker protection on models with breakers
- Weatherproof lexan covers
- ASA-61 grey industrial powder coat finish
- Also available with 15/20A or GFI receptacles
- Also available with cast aluminum covers
- Pedestal raised 1/4" from base for corrosion protection
- Standard is hidden base but also available with direct burial and external base
- Custom heights available
- Custom colours available

TECHNICAL INFORMATION

- CSA Type 3R enclosure (weatherproof)
- 6" x 5 7/8" baseplate constructed of 12 gauge galvanized steel
- 12"H x 6"W x 5 3/4"D body constructed of 12 ga. galvaneal steel
- Grounding lug for #4 - #14 AWG wire
- Bolted base



BASEPLATE DETAIL

MODEL NO.	RECEPTACLES		BREAKERS	
	QTY	TYPE	QTY	TYPE
SEL-AP1-S	2	15A Duplex	4	15A Mini
SEL-AP1M-S	2	15A Duplex	2	15A Mini
SEL-AP2-S	1	15A Duplex	2	15A Mini
SEL-AP2M-S	1	15A Duplex	1	15A Mini
SEL-AP3-S	2	15A Duplex	0	None
SEL-AP4-S	1	15A Duplex	0	None
SEL-AP5-S	3	15A Duplex	0	None
SEL-AP6-S	4	15A Duplex	0	None
SEL-AP7-S	3	15A Duplex	3	15A Mini
SEL-AP8-S	4	15A Duplex	4	15A Mini