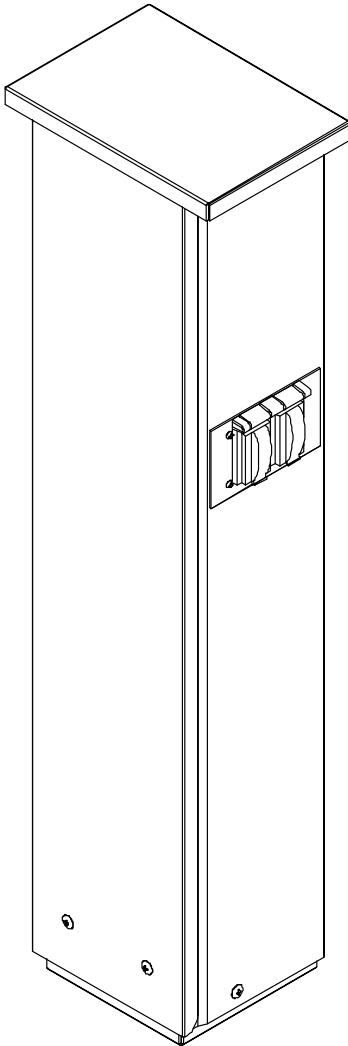




SELECT SERIES MB POWER PEDESTAL

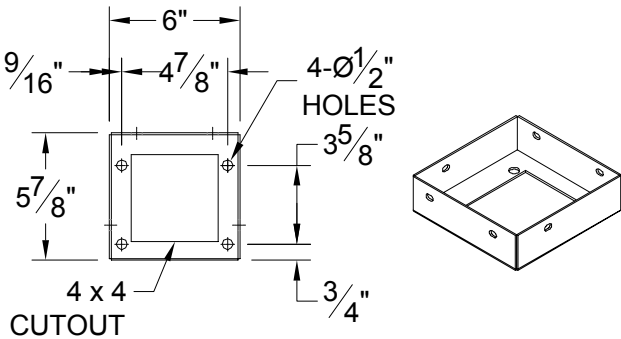


FEATURES AND BENEFITS

- Mainly used for parking lot applications where 120V/15A is required
- Bolt together design
- Concealed internal baseplate for maximum safety
- Top and bottom cross ties for increased rigidity
- Magnetic breakers enable branch rated protection
- Weatherproof lexan covers
- ASA-61 grey industrial powder coat finish
- Also available with 15/20A or GFI receptacles
- Also available with cast aluminum covers
- Pedestal raised 1/4" from base for corrosion protection
- Standard is hidden base but also available with direct burial and external base
- Custom heights available
- Custom colours available

TECHNICAL INFORMATION

- CSA Type 3R enclosure (weatherproof)
- 6" x 5 7/8" baseplate constructed of 12 gauge galvanized steel
- 30 1/2"H x 6"W x 5 3/4"D body constructed of 12 ga. galvaneal steel
- Standard qty. 3 B125 splitter blocks (#14 to 1/O primary; #14 to #2 secondary)
- Grounding lug for 1/O - #14 AWG wire
- 10KAIR branch rated breakers
- Bolted base



BASEPLATE DETAIL

MODEL NO.	RECEPTACLES		BREAKERS	
	QTY	TYPE	QTY	TYPE
SELMB-AP1	2	15A Duplex	4	15A Single Pole
SELMB-AP1M	2	15A Duplex	2	15A Single Pole
SELMB-AP2	1	15A Duplex	2	15A Single Pole
SELMB-AP2M	1	15A Duplex	1	15A Single Pole
SELMB-AP3	2	15A Duplex	0	None
SELMB-AP4	1	15A Duplex	0	None
SELMB-AP5	3	15A Duplex	0	None
SELMB-AP6	4	15A Duplex	0	None
SELMB-AP7	3	15A Duplex	3	15A Single Pole
SELMB-AP8	4	15A Duplex	4	15A Single Pole