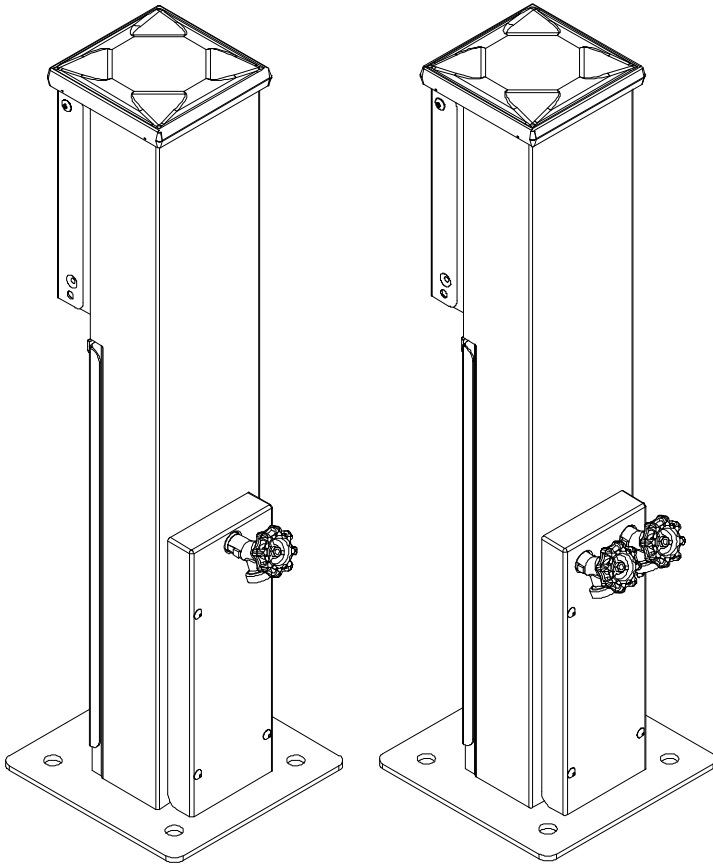




APR SERIES POWER PEDESTAL WITH HOSE BIB OPTION



FEATURES AND BENEFITS

- Used in larger campgrounds, marinas, seasonal lots and mobile locations
- **Isolated location for feed of 1 or 2 water manifolds**
- **Allows easy access to water and power for RV sites and marinas**
- Fully welded design
- Splitter bars allow single securing point or customized feed-thru capabilities
- Padlockable cover for maximum security
- Multiple base configurations with the padmount being the standard
- Magnetic breakers enable branch rated protection
- Fully secured using anchor bolts set in concrete base
- ASA-61 grey industrial powder coat finish
- Feed-thru splitter blocks available
- Custom heights available
- Custom colours available

TECHNICAL INFORMATION

- CSA Type 3R enclosure (weatherproof)
- 10" x 10" baseplate constructed of 1/4" mild steel
- 1" hole in isolated section for water input (dual water manifold gets split inside box)
- 34 1/2"H x 6"W x 4"D body constructed of 12 ga. mild steel
- Standard qty. 3 B125 splitter blocks (#14 to 1/0 primary; #14 to #2 secondary)
- Grounding lug for 1/0 to #14 AWG wire
- 10KAIR branch rated breakers
- Fully welded base

CUSTOM PEDESTAL ORDERING

USE PART NUMBER:

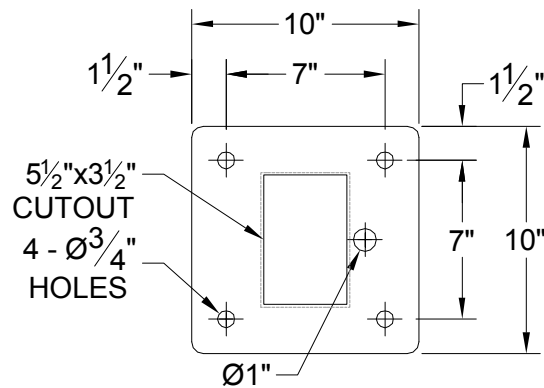
APR-CXYYY-ZZZ

X=number of receptacles (3 max)

Y=receptacle type

Z=option group

RECEPTACLE TYPES (Y)		OPTION GROUP (Z)	
1	15A Duplex	HB1	Hose Bib (1)
A	15A TL	HB2	Hose Bib (2)
2	15/20A Duplex		
B	20A TL		
3	30A RV		
C	30A TL		
5	50A		
G	15A GFI Duplex		
D	50A TL		
H	15/20A GFI		



BASEPLATE WITH WATER MANIFOLD

ACE MANUFACTURING METALS LTD

Toll Free (866) 352-7145 · Direct (780) 352-7145 · BC Direct (250) 808-9116

www.acemfg.com · info@acemfg.com · Fax (780) 352-7147