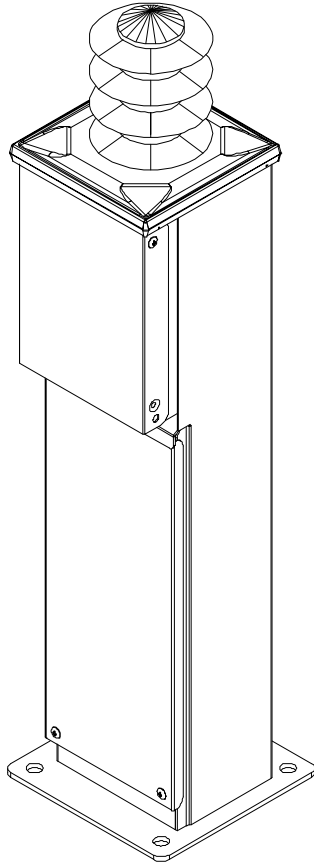




# APR SERIES POWER PEDESTAL WITH TOP LIGHT OPTION



## FEATURES AND BENEFITS

- Used in marinas, campgrounds and walkway lighting applications
- Optional photocell enables daylight lighting control
- Fully welded design
- Splitter bars allow single securing point or customized feed-thru capabilities
- Padlockable cover for maximum security
- Multiple base configurations with the padmount being the standard
- Magnetic breakers enable branch rated protection
- Fully secured using anchor bolts set in concrete base
- ASA-61 grey industrial powder coat finish
- Feed-thru splitter blocks available
- Custom heights available
- Custom colours available

## TECHNICAL INFORMATION

- CSA Type 3R enclosure (weatherproof)
- 10" x 10" baseplate constructed of 1/4" mild steel
- 34 1/2"H x 6"W x 4"D body constructed of 12 ga. mild steel
- Standard qty. 3 B125 splitter blocks (#14 to 1/0 primary; #14 to #2 secondary)
- Grounding lug for 1/0 to #14 AWG wire
- 10KAIR branch rated breakers
- Durable high impact housing on photocell
- Fully welded base

### CUSTOM PEDESTAL ORDERING

USE PART NUMBER:

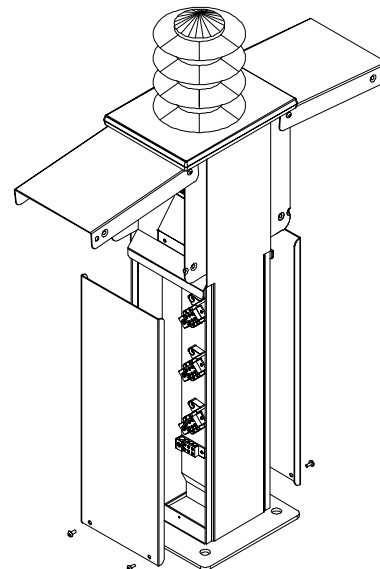
## APR-CXYYY-ZZZ

X=number or receptacles (3 max)

Y=receptacle type

Z=option group

| RECEPTACLE TYPES<br>(Y) |                | OPTION GROUP<br>(Z) |           |
|-------------------------|----------------|---------------------|-----------|
| 1                       | 15A Duplex     | TL                  | Top Light |
| A                       | 15A TL         | PH                  | Photocell |
| 2                       | 15/20A Duplex  |                     |           |
| B                       | 20A TL         |                     |           |
| 3                       | 30A RV         |                     |           |
| C                       | 30A TL         |                     |           |
| 5                       | 50A            |                     |           |
| G                       | 15A GFI Duplex |                     |           |
| D                       | 50A TL         |                     |           |
| H                       | 15/20A GFI     |                     |           |



ACE MANUFACTURING METALS LTD

Toll Free (866) 352-7145 · Direct (780) 352-7145 · BC Direct (250) 808-9116

www.acemfg.com · info@acemfg.com · Fax (780) 352-7147