



## APR SERIES POWER PEDESTAL

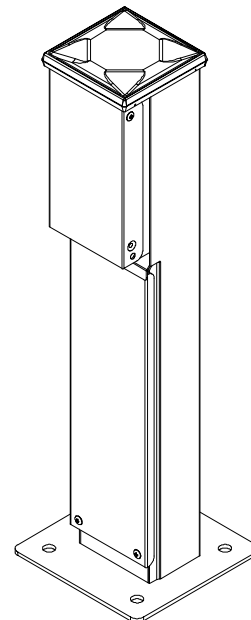
| MODEL NO.  | RECEPTACLES |                     | BREAKERS |                 |
|------------|-------------|---------------------|----------|-----------------|
|            | QTY         | TYPE                | QTY      | TYPE            |
| APR 1      | 1           | 15A Duplex          | 1        | 15A Single Pole |
| APR 2      | 2           | 15A Duplex          | 2        | 15A Single Pole |
| APR 1D     | 3           | 15A Duplex          | 3        | 15A Single Pole |
| APR 2D     | 4           | 15A Duplex          | 4        | 15A Single Pole |
| APR 1G     | 1           | 15A GFI Duplex      | 1        | 15A Single Pole |
| APR 2G     | 2           | 15A GFI Duplex      | 2        | 15A Single Pole |
| APR 1DG    | 3           | 15A GFI Duplex      | 3        | 15A Single Pole |
| APR 2DG    | 4           | 15A GFI Duplex      | 4        | 15A Single Pole |
| APR 3      | 1           | 15A Duplex          | 1        | 15A Single Pole |
|            | 1           | 30A 125V RV         | 1        | 30A Single Pole |
| APR 3G     | 1           | 15A GFI Duplex      | 1        | 15A Single Pole |
|            | 1           | 30A 125V RV         | 1        | 30A Single Pole |
| APR 3-20   | 1           | 15/20A Duplex       | 1        | 20A Single Pole |
|            | 1           | 30A 125V RV         | 1        | 30A Single Pole |
| APR 3-20G  | 1           | 15/20A GFI Duplex   | 1        | 20A Single Pole |
|            | 1           | 30A 125V RV         | 1        | 30A Single Pole |
| APR 4      | 1           | 30A 125V RV         | 1        | 30A Single Pole |
| APR 5      | 1           | 20A 125V Twist Lock | 1        | 20A Single Pole |
| APR 6      | 1           | 50A 125/250V        | 1        | 50A Two Pole    |
| APR 7      | 2           | 30A 125V RV         | 2        | 30A Single Pole |
| APR 8      | 1           | 15A Duplex          | 1        | 15A Single Pole |
|            | 1           | 50A 125/250V        | 1        | 50A Two Pole    |
| APR 8G     | 1           | 15A GFI Duplex      | 1        | 15A Single Pole |
|            | 1           | 50A 125/250V        | 1        | 50A Two Pole    |
| APR 8-20   | 1           | 15/20A Duplex       | 1        | 20A Single Pole |
|            | 1           | 50A 125/250V        | 1        | 50A Two Pole    |
| APR 8-20G  | 1           | 15/20A GFI Duplex   | 1        | 20A Single Pole |
|            | 1           | 50A 125/250V        | 1        | 50A Two Pole    |
| APR 9      | 1           | 30A 125V RV         | 1        | 30A Single Pole |
|            | 1           | 50A 125/250V        | 1        | 50A Two Pole    |
| APR 10     | 1           | 15A Duplex          | 1        | 15A Single Pole |
|            | 1           | 30A 125V RV         | 1        | 30A Single Pole |
|            | 1           | 50A 125/250V        | 1        | 50A Two Pole    |
| APR 10G    | 1           | 15A GFI Duplex      | 1        | 15A Single Pole |
|            | 1           | 30A 125V RV         | 1        | 30A Single Pole |
|            | 1           | 50A 125/250V        | 1        | 50A Two Pole    |
| APR 10-20  | 1           | 15/20A Duplex       | 1        | 20A Single Pole |
|            | 1           | 30A 125V RV         | 1        | 30A Single Pole |
|            | 1           | 50A 125/250V        | 1        | 50A Two Pole    |
| APR 10-20G | 1           | 15/20A GFI Duplex   | 1        | 20A Single Pole |
|            | 1           | 30A 125V RV         | 1        | 30A Single Pole |
|            | 1           | 50A 125/250V        | 1        | 50A Two Pole    |
| APR 1M     | 1           | 15A Duplex          | 2        | 15A Single Pole |
| APR 2M     | 2           | 15A Duplex          | 4        | 15A Single Pole |
| APR 3M     | 1           | 15A Duplex          | 2        | 15A Single Pole |
|            | 1           | 30A 125V RV         | 1        | 30A Single Pole |

### FEATURES AND BENEFITS

- Mainly used in campgrounds and larger amperage applications
- Most robust pedestal design with thickest baseplate in class and fully welded design
- Fully customizable design with large selection of options
- Splitter bars allow single securing point or customized feed-thru capabilities
- Padlockable cover for maximum security
- Multiple base configurations with the padmount being the standard
- Magnetic breakers enable branch rated protection
- Fully secured using anchor bolts set in concrete base
- Heavy duty construction
- ASA-61 grey industrial powder coat finish
- Feed-thru splitter blocks available
- Custom heights available
- Custom colours available

### TECHNICAL INFORMATION

- CSA Type 3R enclosure (weatherproof)
- 10" x 10" baseplate constructed of 1/4" mild steel
- Optional direct burial spade 28"H (26" below grade) 14 ga. galvanized steel spade
- 34 1/2"H x 6"W x 4"D body constructed of 12 ga. mild steel
- 14 1/4"H x 5 3/4" backpan constructed of 14 ga. galvaneal steel
- Standard qty. 3 B125 splitter blocks (#14 to 1/0 primary; #14 to #2 secondary)
- Grounding lug for 1/0 to #14 AWG wire
- 10KAIR branch rated breakers
- Fully welded base



ACE MANUFACTURING METALS LTD

Toll Free (866) 352-7145 · Direct (780) 352-7145 · BC Direct (250) 808-9116

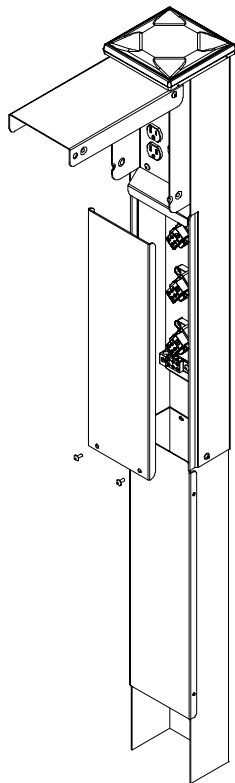
www.acemfg.com · info@acemfg.com · Fax (780) 352-7147



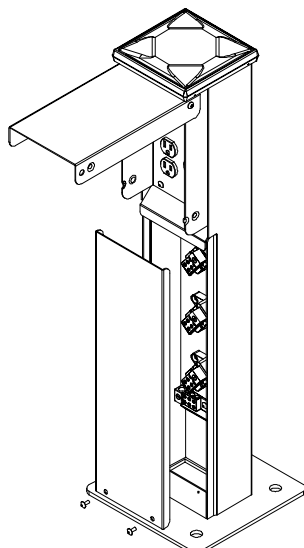
## APR SERIES POWER PEDESTAL

**CUSTOM PEDESTAL ORDERING**  
 USE PART NUMBER:  
**APR-CXYYY-ZZZ**  
 X=number or receptacles (3 max)  
 Y=receptacle type  
 Z=option group

| RECEPTACLE TYPES (Y) |                | OPTION GROUP (Z) |                            |
|----------------------|----------------|------------------|----------------------------|
| 1                    | 15A Duplex     | LVS              | Low Voltage Section (Side) |
| A                    | 15A TL         | M                | Metered                    |
| 2                    | 15/20A Duplex  | SL               | Side Light                 |
| B                    | 20A TL         | TL               | Top Light                  |
| 3                    | 30A RV         | BB               | Back to Back               |
| C                    | 30A TL         | HB1              | Hose Bib (1)               |
| 5                    | 50A            | HB2              | Hose Bib (2)               |
| G                    | 15A GFI Duplex | WB               | Wide Body                  |
| D                    | 50A TL         | EWB              | Extra Wide Body            |
| H                    | 15/20A GFI     | TP               | Telephone                  |
|                      |                | CA               | Cable                      |
|                      |                | DC               | DataComm                   |
|                      |                | MAR              | Marine Grade               |
|                      |                | DB               | Direct Burial              |
|                      |                | PH               | Photocell                  |

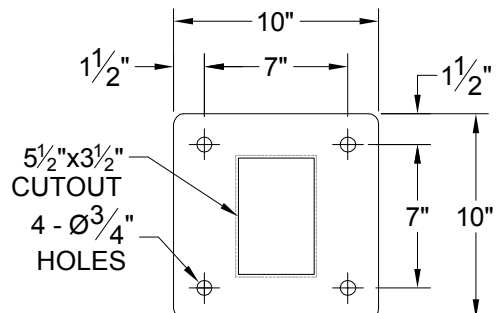


DIRECT BURIAL



PADMOUNT

| RECEPTACLE TYPES FOR APR SERIES PEDESTAL |                        |  |
|--|------------------------|--|
| 1  | 15A, 125V (5-15R)      |  |
| A  | 15A TL, 125V (L5-15R)  |  |
| 2  | 20A, 125V (5-20RA)     |  |
| B  | 20A TL, 125V (L5-20R)  |  |
| 3  | 30A, 125V RV (WD6)     |  |
| C  | 30A TL, 125V (L5-30R)  |  |
| 5  | 50A, 125/250V (14-50R) |  |
| G  | 15A GFI, 125V (5-15R)  |  |
| D  | 50A TL 125/250V        |  |
| H  | 20A GFI, 125V (5-20RA) |  |



ACE MANUFACTURING METALS LTD

Toll Free (866) 352-7145 • Direct (780) 352-7145 • BC Direct (250) 808-9116  
 www.acemfg.com • info@acemfg.com • Fax (780) 352-7147