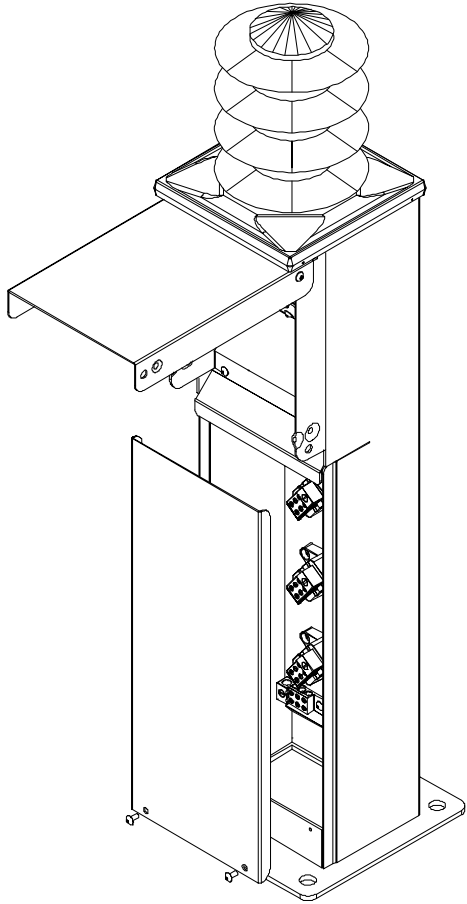




APR MARINE GRADE POWER PEDESTAL



FEATURES AND BENEFITS

- Used in marina and applications in corrosive locations
- **Constructed of marine grade aluminum and stainless steel hardware**
- **Angled entry receptacles allowing closure of front cover with larger plugs**
- Fully welded design
- Fully customizable design with large selection of options
- Splitter bars allow single securing point or customized feed-thru capabilities
- Padlockable cover for maximum security
- Multiple base configurations with the padmount being the standard
- Magnetic breakers enable branch rated protection
- Fully secured using anchor bolts set in concrete base
- Marine standard white industrial powder coat finish
- Feed-thru splitter blocks available
- Optional side light or top light enables dock lighting with optional photocell control
- Custom heights available
- Custom colours available

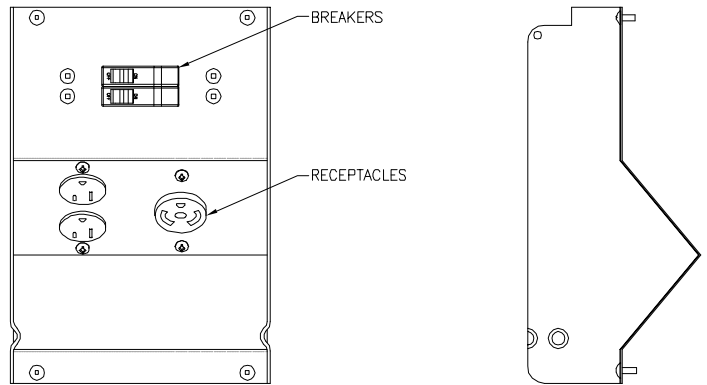
TECHNICAL INFORMATION

- CSA Type 3R enclosure (weatherproof)
- 10" x 10" baseplate constructed of 1/4" aluminum
- 34 1/2"H x 6"W x 4"D body constructed of 10 ga. aluminum
- 14 1/4"H x 5 3/4" backpan constructed of 12 ga. aluminum
- Standard qty. 3 B125 splitter blocks (#14 to 1/0 primary; #14 to #2 secondary)
- Grounding lug for 1/0 to #14 AWG wire
- 10KAIR branch rated breakers
- Durable high impact housing on photocell
- Fully welded base

CUSTOM PEDESTAL ORDERING
 USE PART NUMBER:
APR-CXYYY-ZZZ

X=number or receptacles (3 max)
 Y=receptacle type
 Z=option group

RECEPTACLE TYPES (Y)		OPTION GROUP (Z)	
1	15A Duplex	MAR	Marine Grade
A	15A TL	SL	Side Light
2	15/20A Duplex	TL	Top Light
B	20A TL	PH	Photocell
3	30A RV		
C	30A TL		
5	50A		
G	15A GFI Duplex		
D	50A TL		
H	15/20A GFI		



FRONT VIEW

SIDE VIEW