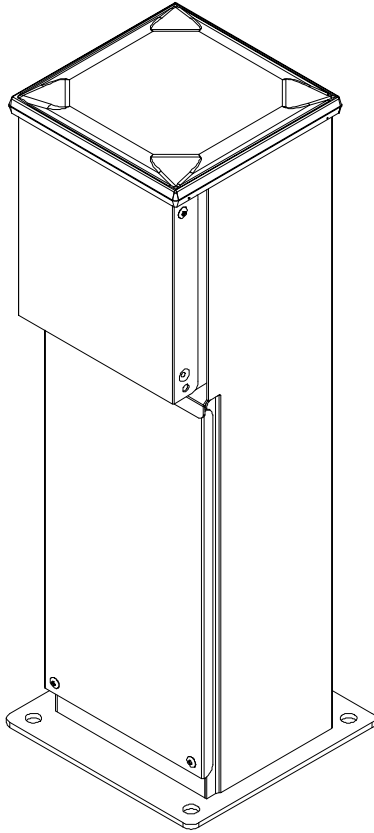




APR SERIES POWER PEDESTAL WITH EXTRA WIDE BODY OPTION



FEATURES AND BENEFITS

- Used in larger campgrounds, seasonal lots and mobile locations
- **Extra wide body configuration used with low voltage section and 3 receptacles or 4 receptacles with no low voltage section**
- Fully welded design
- Splitter bars allow single securing point or customized feed-thru capabilities
- Padlockable cover for maximum security
- Multiple base configurations with the padmount being the standard
- Magnetic breakers enable branch rated protection
- Fully secured using anchor bolts set in concrete base
- ASA-61 grey industrial powder coat finish
- Feed-thru splitter blocks available
- Custom heights available
- Custom colours available

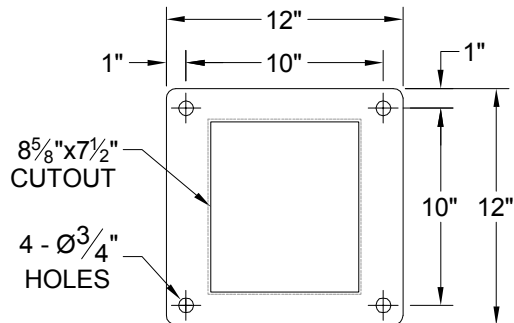
TECHNICAL INFORMATION

- CSA Type 3R enclosure (weatherproof)
- 12" x 12" baseplate constructed of 1/4" mild steel
- 34 1/2"H x 10"W x 8"D body constructed of 12 ga. mild steel
- Standard qty. 3 B125 splitter blocks (#14 to 1/0 primary; #14 to #2 secondary)
- Grounding lug for 1/0 to #14 AWG wire
- 10KAIR branch rated breakers
- Fully welded base

CUSTOM PEDESTAL ORDERING
USE PART NUMBER:
APR-CXYYYY-ZZZ

X=number or receptacles (4 max)
Y=receptacle type
Z=option group

| RECEPTACLE TYPES (Y) | | OPTION GROUP (Z) | |
|----------------------|----------------|------------------|-----------------|
| 1 | 15A Duplex | EWB | Extra Wide Body |
| A | 15A TL | | |
| 2 | 15/20A Duplex | | |
| B | 20A TL | | |
| 3 | 30A RV | | |
| C | 30A TL | | |
| 5 | 50A | | |
| G | 15A GFI Duplex | | |
| D | 50A TL | | |
| H | 15/20A GFI | | |



EXTRA WIDE BODY BASEPLATE