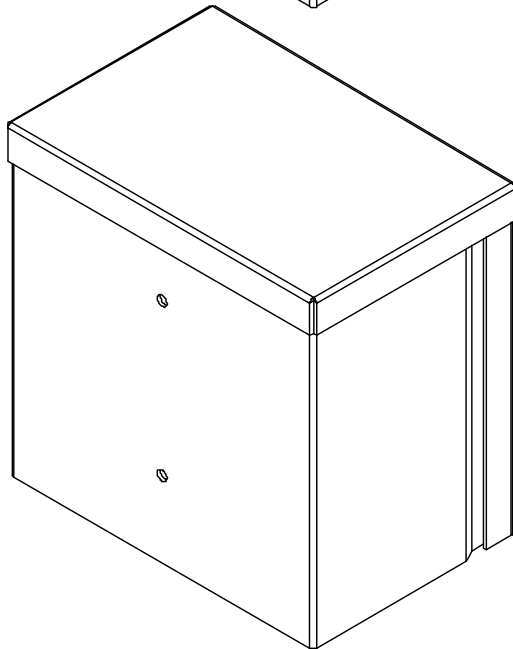
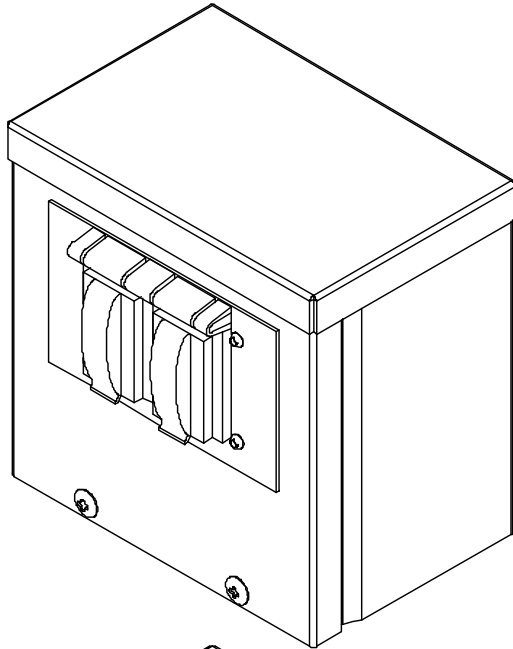




APB PARKING LOT OUTLET BOX



FEATURES AND BENEFITS

- Mainly used for parking lots, campgrounds and where existing mounting is present
- Most compact and cost effective pedestal design
- Wall or fence mounting
- Weatherproof lexan covers
- Mini-breaker protection on models with breakers
- Galvanized steel construction
- Also available with 15/20A or GFI receptacles
- Also available with cast aluminum covers
- Custom colours available

TECHNICAL INFORMATION

- CSA Type 3R enclosure (weatherproof)
- 6"H x 6"W x 4"D body construction
- Galvanized steel substrate
- Grounding lug for #4 - #14 AWG wire

MODEL NO.	RECEPTACLES		BREAKERS	
	QTY	TYPE	QTY	TYPE
APB 11	1	15A Duplex	0	None
APB 12	1	15A Duplex	1	15A Mini
APB 13	1	15A Duplex	2	15A Mini
APB 31	1	30A RV	0	None
APB 32	1	30A RV	1	30A Mini
APB 51	1	50A 125/250V	0	None

ACE MANUFACTURING METALS LTD

Toll Free (866) 352-7145 · Direct (780) 352-7145 · BC Direct (250) 808-9116

www.acemfg.com · info@acemfg.com · Fax (780) 352-7147